



# BUNKER

| Tracked Differential Steering

| Independent Suspension

| 17CM Obstacle Surmounting Capacity

| ZERO Turning Radius

| 36° Climbing Ability

| ROS/SDK Supported



## » Crawler-type Differential Wire-controlled Chassis

BUNKER adopts crawler-type differential mechanical mechanism, which has extremely strong terrain adaptability. It is specially designed for special working environment and features differential rotation, strong load capacity, small mechanical loss and high ingress protection rating.



## » Tough Process Design, Special Operation Platform

Multiple sets of servo motors provide extremely strong power system and differential rotation ability. The Christie suspension equipped with multiple sets of shock absorbers provides extremely strong system stability. The integrated forward tilt design brings superior climbing ability. The tough industrial design makes BUNKER competent for various field complex environments.



Extreme terrain adaptability



High-performance track structure conquers muds



Able to climb slope gradient  $< 36^\circ$  and stair with single step  $< 17\text{ cm}$

## » Multiple-load Expansion, Rapid Secondary Development

BUNKER can be customized for a variety of advanced operation modes. Users can communicate with the main control through CAN bus protocol, and the open source SDK and ROS\_ PACKAGE are also provided.



Slide rails are reserved for quick building top load (sensing, industrial control, IMU, routing, camera, etc.)



Supports customized design of sensor AI profile bracket



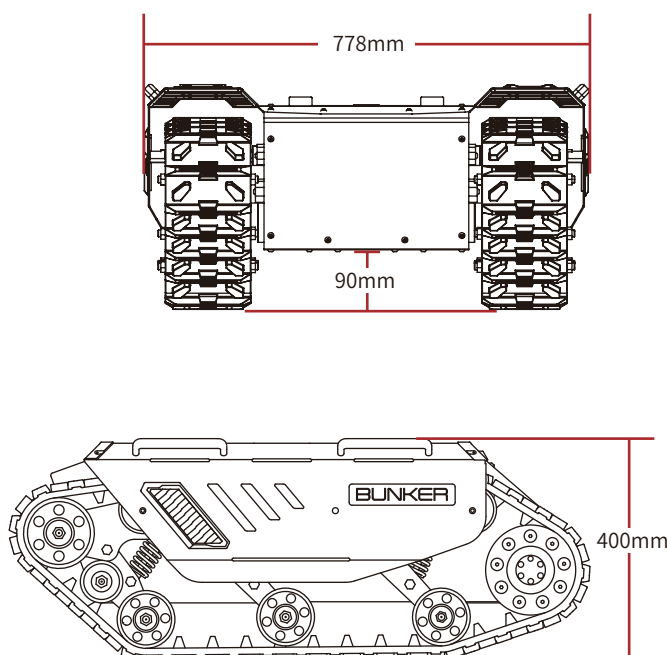
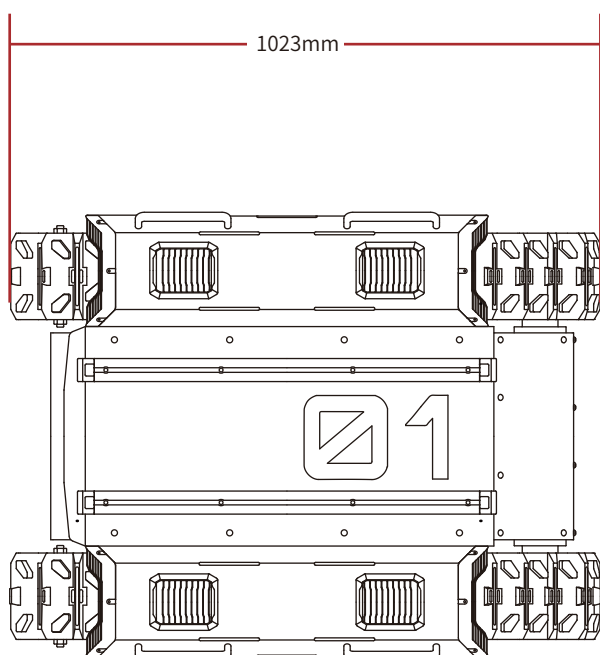
Supports access of more advanced automatic driving system (such as ROS, Apollo, etc.)



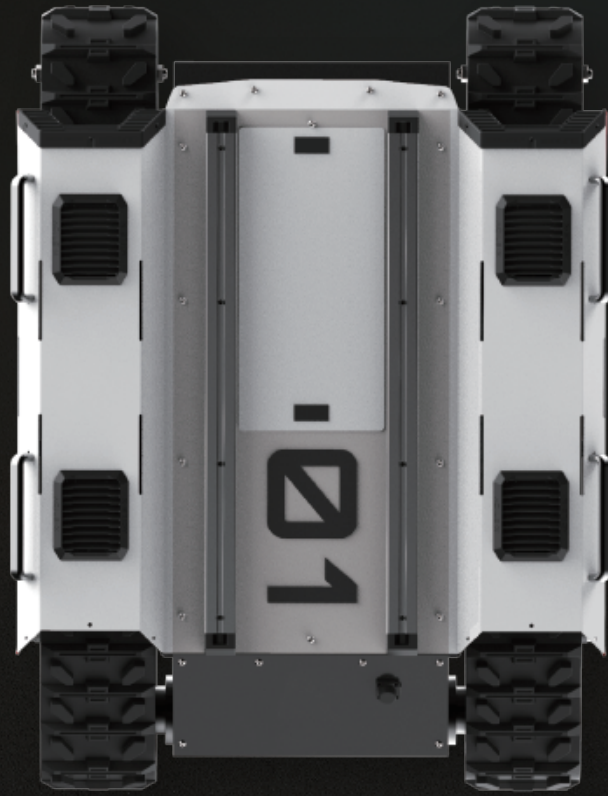
## » SPECIFICATIONS

Model	BUNKER
Dimensions	1023* 778*400mm WxHxD
Wheelbase	360mm
Weight	130~ 135KG
Minimum Ground Clearance	90mm
Rated Travelling Load	80KG
Rated Spin Load	60KG
Climbing Capacity	36°(No Load and With Loading) Can Climb Stairs
Minimum Turning Radius	0m In-situ Rotation
Obstacle Abilit	170mm
MAX Travel	10KM
Shock Absorber	Left and Right Lndependent * 6 Shock Absorbers

Operating Temperature	-20~60°C
Drive Form	Left and Right Independent Drive Track Differential Steering
Charger	AC220V Independent Charger
Charging Time	6~7H
Outward Supply	48V
Battery	48V30Ah (Standard) 48V60Ah (Optional)
Motor	2X650W (brushless servo motor)
Code Wheel	1024 Lines
Gyroscope Parameters	9-axis Gyroscope 0.01°Resolution
Suspension Form	Christie Suspension
Communication Interface	Standard CAN
Protection Level	IP52 (Standard) IP54 (Optional)







LinkedIn



Youtube

[WWW.AGILEX.AI](http://WWW.AGILEX.AI)

AgileX Robotics CO., Ltd

Email: [sales@agilex.ai](mailto:sales@agilex.ai)

Tel: +86-769-22892150

+86-19925374409