



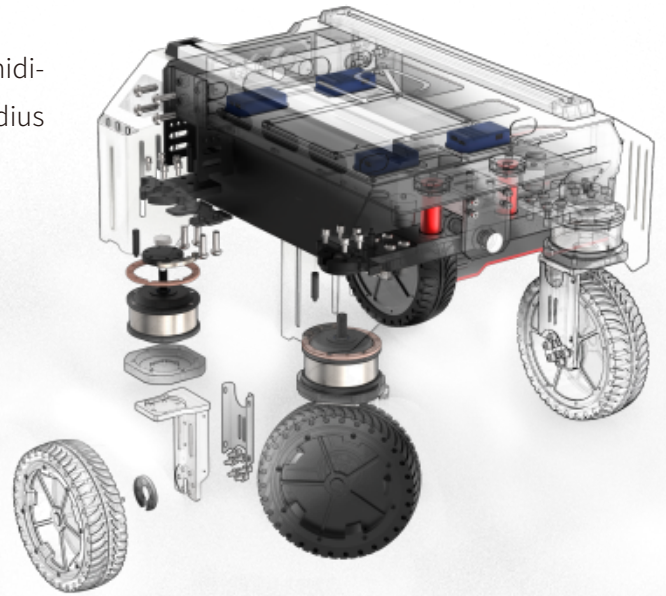
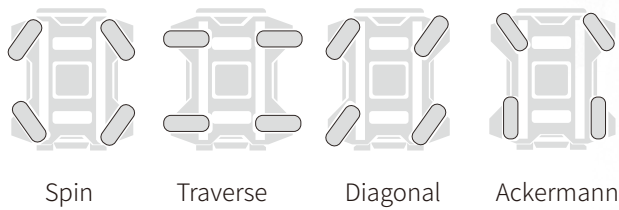
## RANGER **MINI**

- | Four Wheel Independent Steering
- | Multiple Moving Modes
- | Secondary Development Supported
- | Quick Release Battery

» Four Modes, One Button

Ranger Mini carries forward AgileX’s technical heritage of omnidirectional UGV by featuring a compact body and zero turning radius to achieve 360° static steering.



- ▣ All-metal body with robust industrial design
- ▣ 4 x 120 W steering motors + 4 x 250 W driving motors
- ▣ Support Spin, Traverse, Diagonal and Ackermann modes



» Agile Movements and Robust Performance





As a UGV with superb flexibility and performance, Ranger Mini combines the obstacle-climbing ability of SCOUT series with the high load capacity and long battery life of HUNTER series. Thanks to AgileX’s technical heritage in motion control, it can easily operate in both indoor and outdoor environments. Swing arm suspension and higher ground clearance bring a fresh movement experience for indoor and outdoor work.

-  200 mm ground clearance and 10° climbing capacity (full load)
-  50 KG load capacity

» Removable Battery, Long Run Time

The run time of Ranger Mini lasting up to 5 hours, and the battery is removable designed.

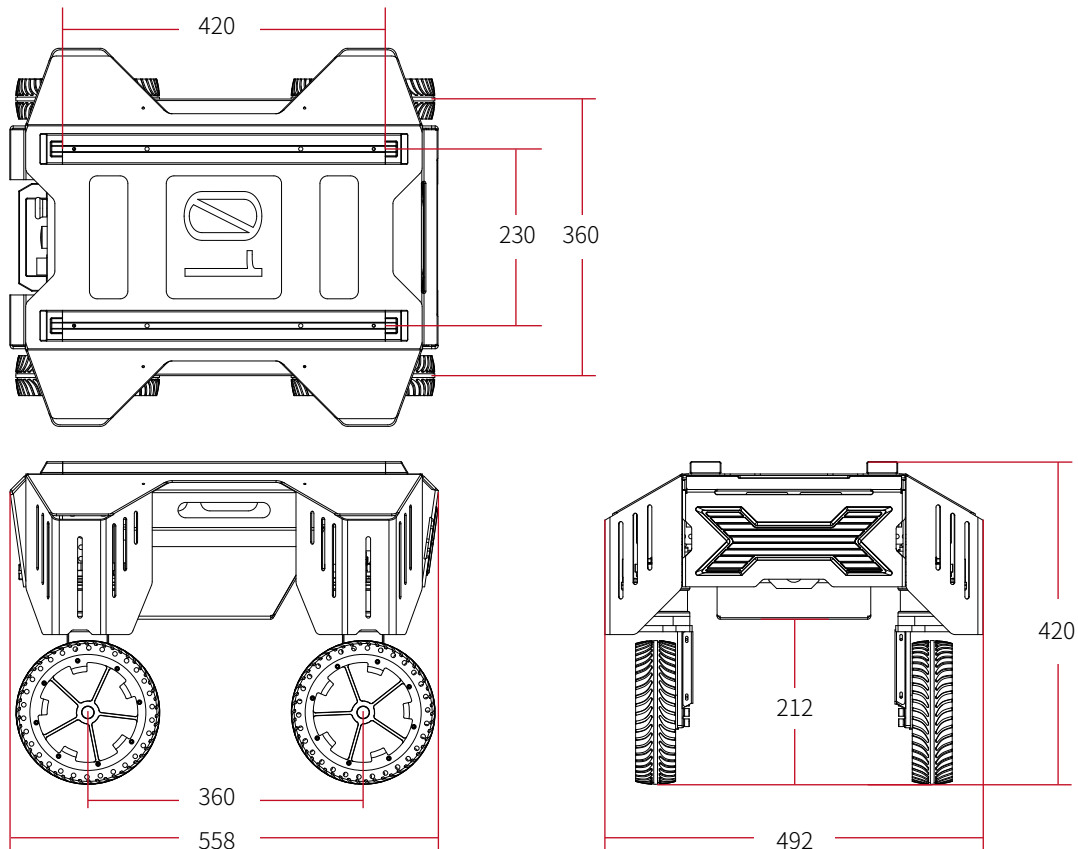
-  5 Hours Run Time
-  Quick Battery Replacement



## » Specifications

Model	RANGER mini
Size	558mmx492mmx420mm
Wheelbase	360mm
Tread	360mm
Overall Mass	55KG
Maximum Speed	6km/h
Ground Clearance	212mm
Minimum Turning Radius	0mm
	Spin mode
Wheel Hub Radius	8 inch
Brake Type	Electronic brake
Rated Load In Movement	50KG
Maximum Slope	10° (with load)
Steering Type	Four wheel independent
Maximum Mileage	20KM
Maximum Battery Life	5~6h

Drive Type	In-wheel motor
Cooling Type	Air-cooled
Operating Temperature	-10~40°
Charger	29.4V10A
Charging Time	4H
Voltage	24V
Power Battery Type	Lithium iron phosphate
Battery	24V30AH (standard) 24V60AH (optional)
External Power Supply	24V
Motor	4 x 120 W steering and 4 x 250 W driving
Encoder	1024 Lines
Communication Interface	Standard CAN
Suspension Type	Swing arm suspension
Protection Level	IP22





LinkedIn



Youtube

[WWW.AGILEX.AI](http://WWW.AGILEX.AI)

AgileX Robotics CO., Ltd  
Email: [sales@agilex.ai](mailto:sales@agilex.ai)

Tel: +86-769-22892150  
+86-19925374409